

Supply Duct Kit

Part No. 4039455

Parts Included:

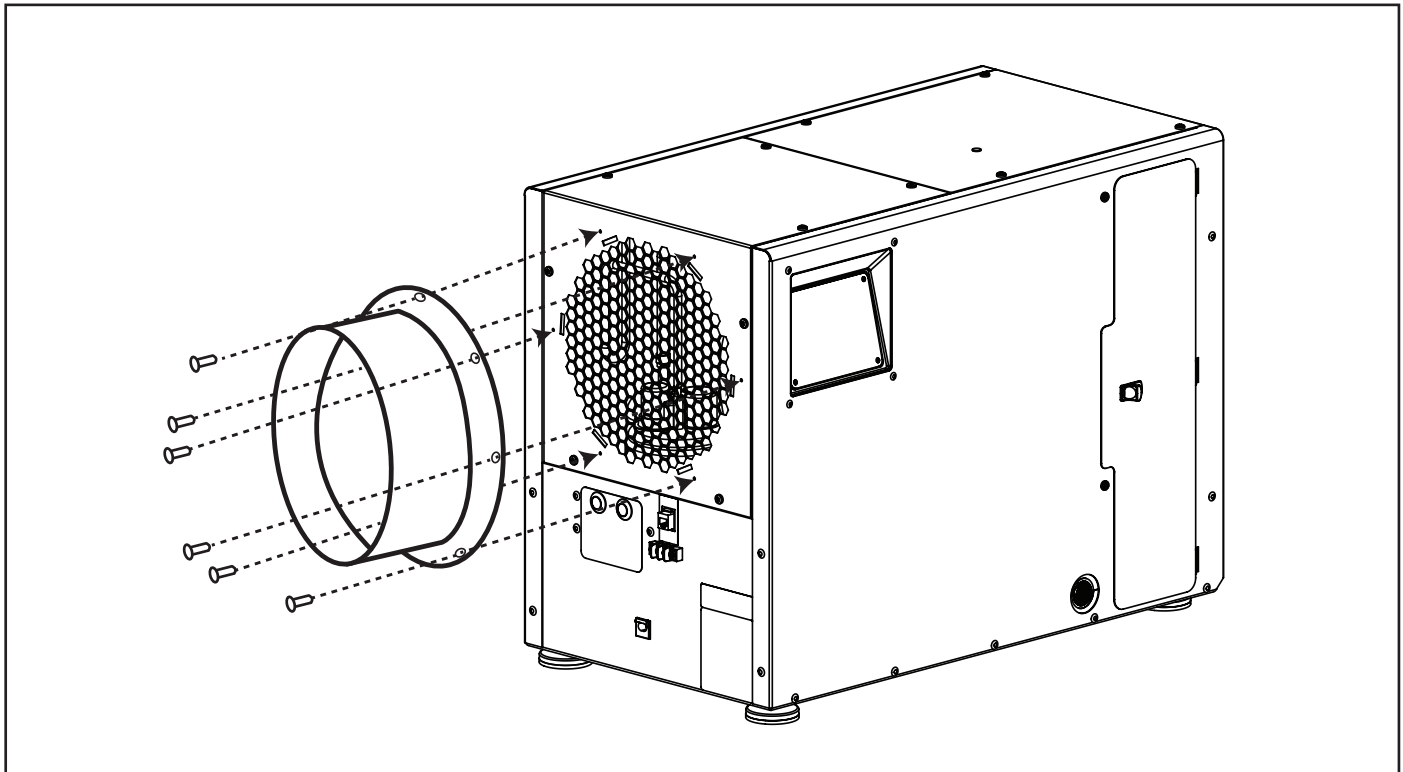
- (1) 10" Duct Collar
- (1) Tape Foam Strip
- (6) Phillips Screw, 6–20 x ¾

Items Required:

- Phillips Head Screwdriver
- Flex Duct
- Zip Tie
- Foil Tape



CAUTION! Before installing the duct kit, disconnect dehumidifier from electrical power.



Crawl Space Recommended Ducting Installation

10 - 25 feet of flex duct can be used on the supply side of the dehumidifier in order to push air away from the dehumidifier. The dehumidifier does not need to be centered in the space as the flex duct will be used to help circulate air throughout the space. When extending the flex duct, ensure it is as straight as possible to avoid any restriction in airflow. If ducting the supply, it is not recommended to duct the return as well. Doing so may result in a loss of efficiency.

Basement Ducting – Refer to Dehumidifier Manual



Therma-Stor LLC

4201 Lien Rd Madison, WI 53704 • TOLL-FREE 1-800-533-7533 • www.thermastor.com • sales@thermastor.com

TS-1081 5/18 Rev A