

Alternative HVAC System Installations

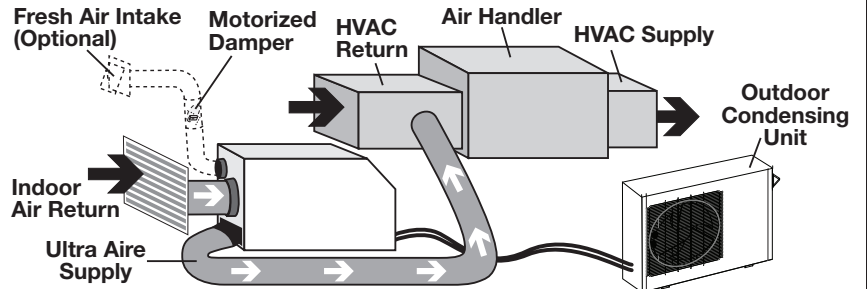
If the Recommended Dedicated Ultra Aire Return to HVAC Supply Installation is not possible, there are several alternative installation options available.

- DO NOT locate return in a bathroom or kitchen.
- Control should be located remotely from the dehumidifier and placed in a central location.

Dedicated Ultra Aire Return to HVAC Return

Create a separate return for the Ultra Aire SD12 in a central area of the building.

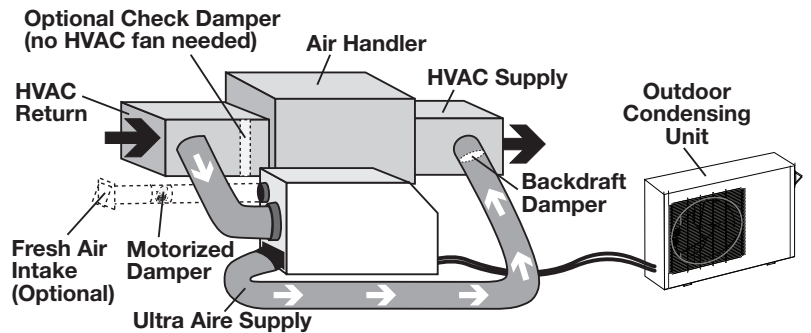
Installing the supply air from the Ultra Aire SD12 in the return of the HVAC system requires the HVAC fan to run when the Ultra Aire SD12 is operating.



HVAC Return to HVAC Supply

Check Damper should be in place between the Return and Supply connections of the dehumidifier.

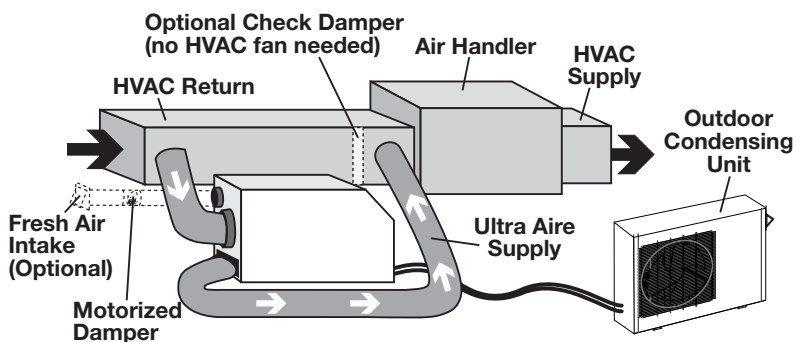
If Check Damper is not in place, the HVAC fan must turn on when the dehumidifier is in operation.



HVAC Return to HVAC Return

Check Damper should be in place between the Return and Supply connections of the dehumidifier.

If Check Damper is not in place, the HVAC fan must turn on when the dehumidifier is in operation.



No Existing Ductwork Installation

When installing the Ultra Aire SD12 in a structure that does not have a forced air HVAC system, a single return for the Ultra Aire SD12 should be installed in a central location.

Install an insulated duct from outside to the 6" collar of the Ultra Aire SD12 to provide fresh air ventilation (optional).

The supply of the Ultra Aire SD12 should be ducted to remote areas of the structure such as bedrooms, living room, den, etc. Be sure to utilize multiple rooms to allow air inside the structure to properly circulate. Proper air distribution is important to ensure even humidity control and heat distribution throughout the structure.

Use insulated duct work on the supply duct work of the dehumidifier. A 6" diameter duct is recommended for branches to bedrooms. An 8" diameter duct is recommended for branches to larger areas.

- DO NOT locate the return in a bathroom or kitchen.
- DO NOT locate the supply in rooms where doors may be closed.
- Control should be located remotely from the dehumidifier and placed in a central location.

